



Honoured with:

ÉLU PRODUIT DU BTP
PAR LES PROFESSIONNELS
2016

M&T 2015
Produkt des Jahres

GOOD
DESIGN

04

Conservatory/roof awning

Sottezza II

Sottezza II Stretch/LED | OptiStretch/LED

The elegant, attractive **Sottezza II** conservatory awning is used beneath the patio roof. The awning fabric will therefore come into its own, remain permanently attractive and the patio will have a cosier feeling. At the same time, it provides effective glare protection. As an underlay awning, the **Sottezza II** is especially suitable for patio roofs and conservatories, which guarantee an adequate air circulation and thus avert the formation of high temperatures due to their construction. Furthermore, for conservatories, it is an intelligent supplement to the outside sun protection. If it has to be retracted in case of heavy wind, this inside wind-protected **Sottezza II** then comes into operation and provides the desired sunscreen. **Sottezza II** is an all-rounder and can be used for virtually every right-angled patio roof due to the customised production which is accurate to the millimetre.



Sottezza II Stretch:
Open at the sides
with minimum
fabric gap



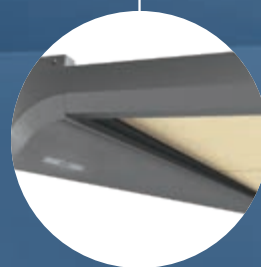
Sottezza II OptiStretch:
Fabric guided sideways for perfect
fabric fit, without any fabric gap at all



**Installation-friendly
system:**
Only 2 fitters
required



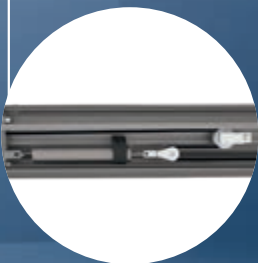
Versions:
Sottezza II LED
with high-power
LED spotlights



Sottezza II
without
LED

Sottezza II Highlights

04



Tried-and-tested clamping system:
Taut fabric and wind stability



weinor carriage system:
Precise and quiet

Sottezza II Benefits



Proven and reliable tension system from the conservatory awning family

The tried-and-tested tension system also ensures even fabric deployment as well as fast and easy installation with the Sottezza II.

- Textile rope from open ocean sailing technology, break and strain resistant, tried-and-tested for many years, no elongation
- Long-lasting equalised fabric tautness with pulley block technology



weinor carriage system – precise and low-noise

The tried and proven weinor carriage impresses with its especially easy and quiet ascending and retraction.

- Plastic precision rollers for reduced rolling friction



Elegant design – LED lighting integrated into the cassette

The cassette with the integrated LED lighting discreetly blends into the architecture of the patio roof.

- Inconspicuous cassette design – without visible bolting
- 30,000 LED light hours with lowest energy consumption (85% electricity saving compared to halogen technology)
- Dimmable when used with BiConnect or Somfy io-homecontrol® radio control

Sottezza II Benefits



Installation-friendly system – only 2 installers required

- Cassette and side channels must be installed separately. Complete floor installation is unnecessary
- weinor LED lighting integrated into the cassette – no extra installation necessary
- simple installation of the awning: attach housing and release (drag & drop installation technique), no preliminary screwing required
- Minor roof inaccuracies can be equalised by sliding the cassette or side channels



Clever Sottezza II versions – Stretch and OptiStretch

Sottezza II Stretch: The even tautness of the fabric creates a cosy atmosphere.

- Slimline side channels
- Sottezza II Stretch open at the sides with the the minimum fabric gap (approx. 0.5 to 2.5 cm)

Sottezza II OptiStretch: completely closed all around, ensures tensioned fabric without sideways hanging fabric edges. In very large constructions, it reduces the central sagging of the fabric during ascending and retraction.

- Slimline side channels
- Sottezza II OptiStretch completely without fabric gap

04

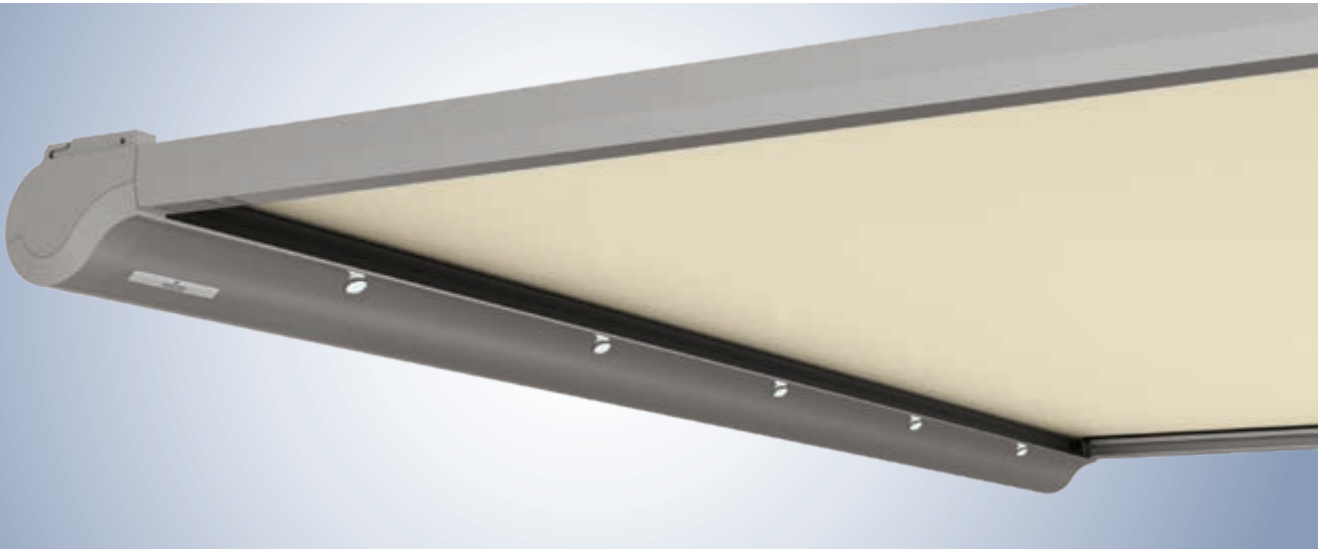
Sottezza II Technology

Versions of the Sottezza II	Sottezza II Stretch	Sottezza II OptiStretch	Sottezza II Stretch LED	Sottezza II OptiStretch LED
Technology				
Max. width	600 cm (to 400 cm projection)	600 cm	600 cm (to 400 cm projection)	600 cm
Max. projection	500 cm (only up to 450 cm cassette width)	500 cm	500 cm (only up to 450 cm cassette width)	500 cm
Max. fabric area	24 m ²	30 m ²	24 m ²	30 m ²
Cassette size (width x height)	307 x 148 mm	307 x 148 mm	307 x 148 mm	307 x 148 mm
Gear drive	—	—	—	—
Motor drive	● as standard	● as standard	● as standard	● as standard
Awning pitch*	3° – 45°	3° – 45°	3° – 45°	3° – 45°
Installation alternatives	installation under glass	installation under glass	installation under glass	installation under glass
High-power LED spotlight lighting	—	—	● integrated into the cassette	● integrated into the cassette
Fabric				
weinor fabric collection	●	●	●	●
Other fabric collections	○	○	○	○
Accessories				
Tempura/Tempura Quadra heating system	○	○	○	○
Controls				
Radio control	○	○	○	○
No remote	●	●	●	●
Weather sensors				
Sun/wind sensor BiConnect BiSens SW-230 V	○	○	○	○
Sun/wind sensor solar powered BiConnect BiSens SW-Solar+	○	○	○	○
Sun/wind/rain sensor BiConnect-BiSens-SWR-230V	○	○	○	○

* Sottezza II in combination with Terrazza Pure with 0° pitch possible.

● standard ○ optional — unavailable

Sottezza II LED



LED lighting – 30,000 hours of lighting require minimal energy consumption

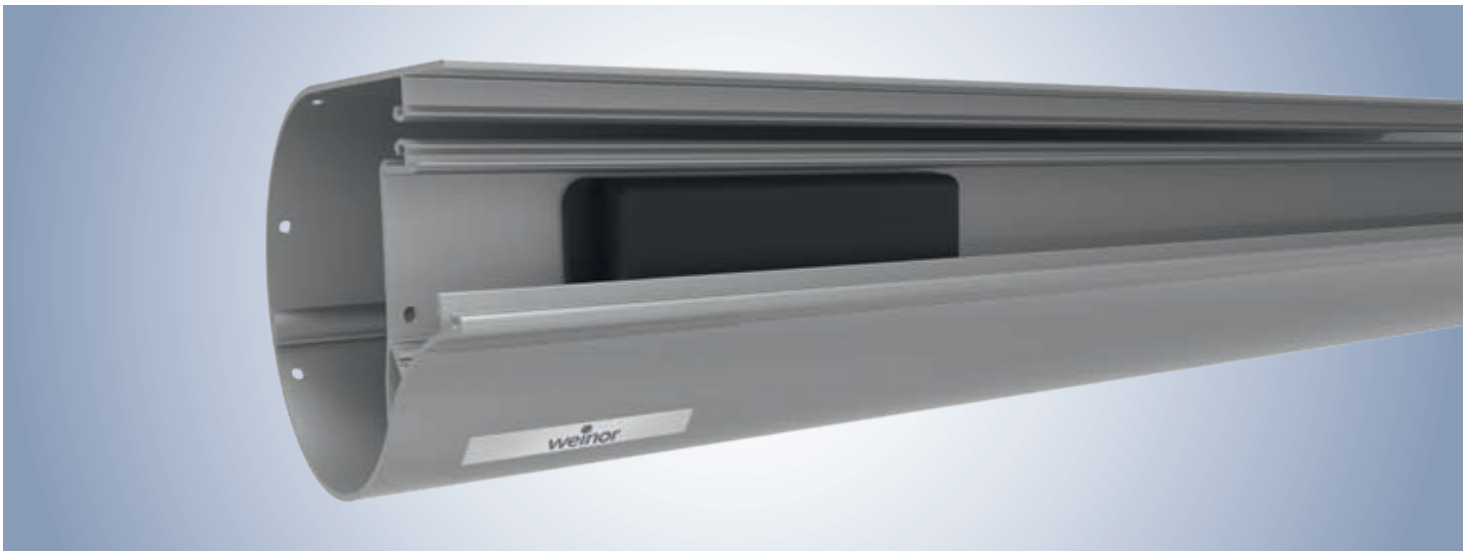
The select high-power LED components represent the very best in weinor quality:

- Integrated into the cassette
- Atmospheric light thanks to special glass lenses
- Lighting remains on even when awning is retracted
- Especially energy-efficient (85% power saving in comparison to halogen technology)
- Operating life of 30,000 hours
- Dimmable when used with BiConnect or Somfy io-homecontrol® radio control
- Easy to service: simply replace individual LED lights without uninstalling the awning

Integrated LED lighting

Awning width in cm	Number of separate LED spotlights	Awning width in cm	Number of separate LED spotlights
81 – 110	1	330 – 384	6
111 – 164	2	385 – 439	7
165 – 219	3	440 – 494	8
220 – 274	4	495 – 549	9
275 – 329	5	550 – 600	10

Sottezza II Controls



Installation location for receiver, power supply pack and further electrical components

The receiver is accommodated in the cassette. The faceplate can be easily be opened for servicing purposes. The receiver is then easily accessible.

weinor BiConnect radio technology

Product	Electronics	BiConnect control	Remote receiver	Transmitter
Sottezza II	Sottezza II drive	<ul style="list-style-type: none"> • BiRec receiver integrated into cassette 	BiRec MA-K	<ul style="list-style-type: none"> • BiEasy 1M/5M/15M Go! hand transmitter • 1MW-3V wall transmitter
Sottezza II LED	Sottezza II drive and LED lighting	<ul style="list-style-type: none"> • BiRec combi-receiver for main drive and LED spotlights (with integrated power supply pack) integrated into cassette • Dimmable LED 	BiRec MLED	<ul style="list-style-type: none"> • BiEasy 5M/15M Go! hand transmitter
Accessories (optional)	Tempura/Tempura Quadra heating	<ul style="list-style-type: none"> • Dimmable, additional receiver required • Accommodation of receiver in the design bar provided for this purpose or the Tempura Quadra box 	BiRec HD	<ul style="list-style-type: none"> • BiEasy 5M/15M Go! hand transmitter

Sottezza II Controls

Somfy io-homecontrol® radio technology

Product	Electronics	Somfy io-homecontrol control	Remote receiver	Transmitter
Sottezza II	Sottezza II drive	<ul style="list-style-type: none"> Somfy io remote-controlled motor integrated into cassette 	Somfy io remote-controlled motor	<ul style="list-style-type: none"> Situo 1 io Pure II/Situo 5 io Pure II/Situo 5 Variation A/M io Pure II hand transmitter Smooove 1 io Pure Shine wall transmitter
Sottezza II LED	Sottezza II drive and LED lighting	<ul style="list-style-type: none"> Somfy io remote-controlled motor integrated into cassette Additional Somfy receiver for the LED spotlights (with downstream power supply pack) integrated into cassette LED dimmable 	Somfy io remote-controlled motor and io Lighting Receiver Variation (dimmable)	<ul style="list-style-type: none"> Situo 5 io Pure II/Situo 5 Variation A/M io Pure II hand transmitter
Accessories (optional)	Tempura/Tempura Quadra heating	<ul style="list-style-type: none"> Dimmable, additional receiver required Accommodation of receiver in the design bar provided for this purpose or the Tempura Quadra box 	Heating Receiver Variation io 1.5 kW STAS3/STAK3 (dimmable)	<ul style="list-style-type: none"> Situo 5 io Pure II/Situo 5 Variation A/M io Pure II hand transmitter Smooove 1 io Pure Shine wall transmitter

04

Somfy RTS radio technology

Product	Electronics	Somfy RTS control	Remote receiver	Transmitter
Sottezza II	Sottezza II drive	<ul style="list-style-type: none"> Somfy RTS remote-controlled motor integrated into cassette 	Somfy RTS remote-controlled motor	<ul style="list-style-type: none"> Situo 1 RTS Pure II/Situo 1 Soliris RTS Pure II/Situo 5 RTS Pure II/Situo 5 Soliris RTS Pure II hand transmitter Smooove 1 RTS Pure Shine wall transmitter
Sottezza II LED	Sottezza II drive and LED lighting	<ul style="list-style-type: none"> Somfy RTS remote-controlled motor integrated into cassette Additional Somfy receiver for the LED spotlights (with downstream power supply pack) integrated into cassette LED not dimmable 	Somfy RTS remote-controlled motor and RTS lighting receiver	<ul style="list-style-type: none"> Situo 5 RTS Pure II/Situo 5 Soliris RTS Pure II hand transmitter



Note:

Please see the "Accessories" technical brochure for further details regarding the drive and control.

Some options are subject to a surcharge. For prices, please refer to the weinor awnings price list.

Sottezza II Controls

Hard wired with Somfy control

Product	Electronics	Firmly wired Somfy control	Controls
Sottezza II	Sottezza II drive	<ul style="list-style-type: none"> Somfy control for awning drive 	e.g. Soliris Smooove Uno
Sottezza II LED	Sottezza II drive and LED lighting	<ul style="list-style-type: none"> Somfy control for awning drive Commutator on site for the LED spotlights LED power supply pack integrated into the cassette LED not dimmable 	e.g. Soliris Smooove Uno and suitable light switch (on site)
Accessories (optional)	Tempura/ Tempura Quadra heating	<ul style="list-style-type: none"> not dimmable 	Suitable commutator (on site)

Hard wired (existing switch/power supply on site)

Product	Electronics	Firmly wired control	Controls
Sottezza II	Sottezza II drive	<ul style="list-style-type: none"> Awning commutator for the awning drive 	e.g. double rocker switches (on site)
Sottezza II LED	Sottezza II drive and LED lighting	<ul style="list-style-type: none"> Awning commutator for the awning drive Commutator on site for the LED spotlights LED power supply pack integrated into the cassette LED not dimmable 	e.g. double rocker switch and suitable light switch (on site)
Accessories (optional)	Tempura/ Tempura Quadra heating	<ul style="list-style-type: none"> not dimmable 	Suitable commutator (on site)



Sottezza II Stretch | OptiStretch

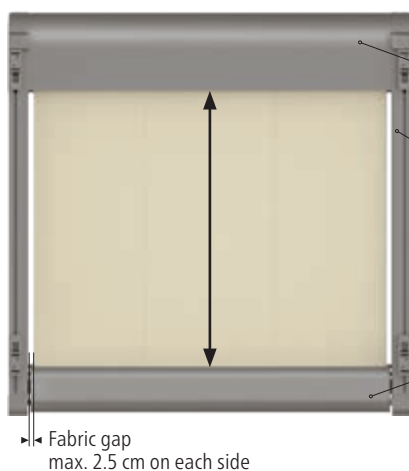
The Stretch and OptiStretch system in comparison



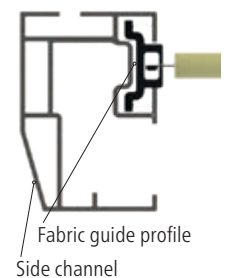
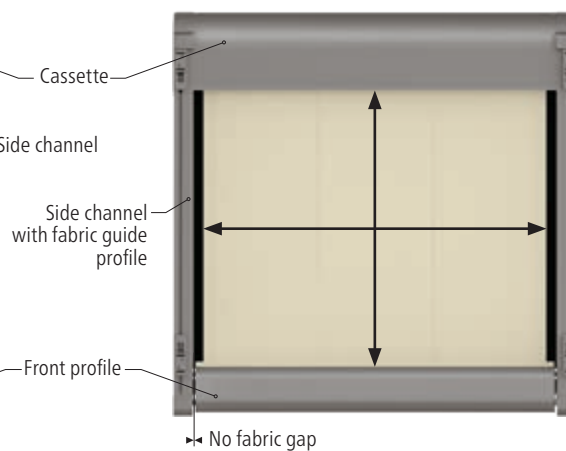
The Sottezza II Stretch and OptiStretch consist of identical frame constructions and use the same conservatory awning clamping system. The fabric guide is the difference between the two systems. In the Stretch system, the fabric is tensioned between the fabric roller bearing and the projection profile in the ascending direction, while in the OptiStretch, the fabric is additionally guided sideways in the guide rail. The OptiStretch thus achieves a significantly higher degree of fabric tensioning.

04

The Stretch system



The OptiStretch system



In the Stretch System, the fabric is tensioned between the fabric roller bearing and the projection profile in the ascending direction. A gap remains between the fabric and the side channel.

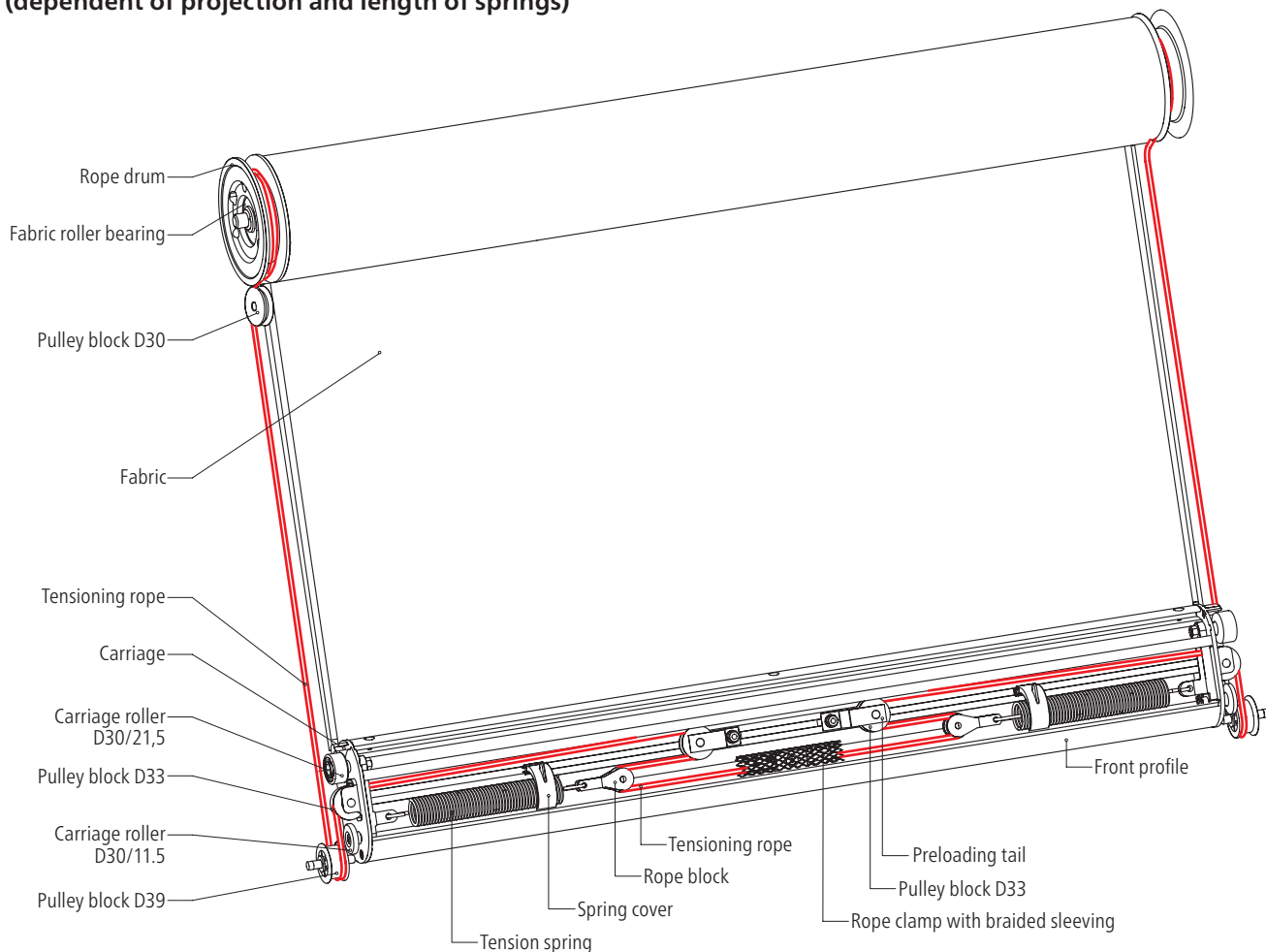
- Lining of the side edges is reduced by the pulley system
- The fabric slot can be up to 2.5 cm wide
- In the case of large installations, the fabric sag can be up to approx 15 cm
- It is possible to use distance rope to support the fabric (number depends on projection)
- Stretching of side edges in the case of acrylic and polyester is possible

In the OptiStretch system, the sunscreen fabric is guided in a PVC fabric guide profile inside the side channel. This allows an optimum fabric tensioning to be achieved in all 4 directions and the system is completely closed without a sideways gap.

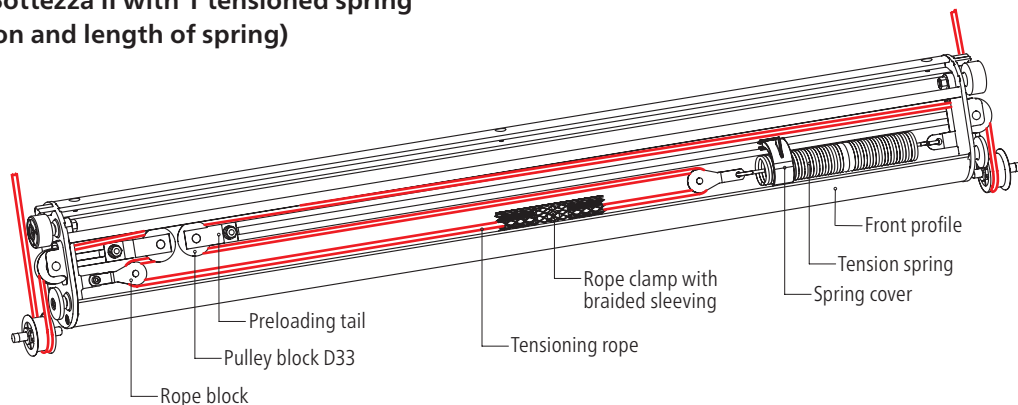
- Optimum tensioned fabric
- No possibility of sideways reveal
- Without fabric gap
- Fabric taut on 4 edges
- better rolling properties

Fabric tensioning technology tension system

**Tension system of the Sottezza II with 2 tensioned springs
(dependent of projection and length of springs)**



**Tension system of the Sottezza II with 1 tensioned spring
(dependent of projection and length of spring)**



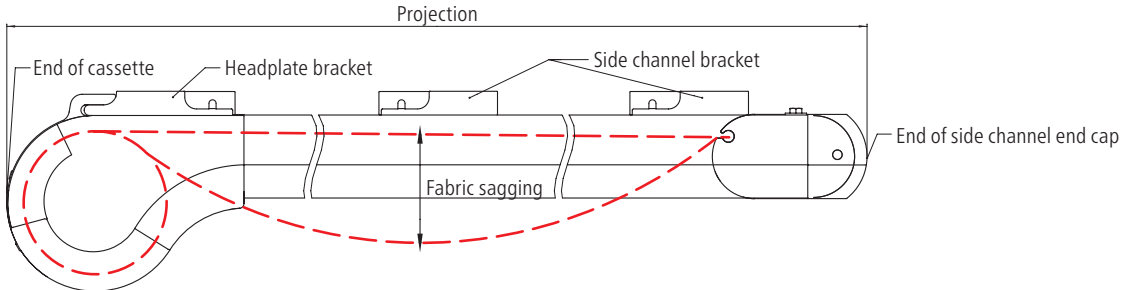
Important note

The rope used on the tension system begins to wind around a rope drum located inside the cassette as soon as the awning ascends. The width of the rope drum is enough to take several wound lengths of rope lying side by side. Once there is no more space to the side, the coil in the next bearing will wind over the one before. The rope can sometimes jump and cause noise.

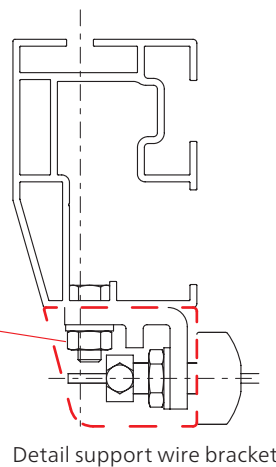
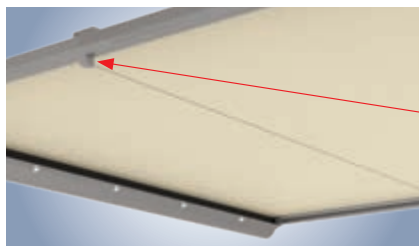
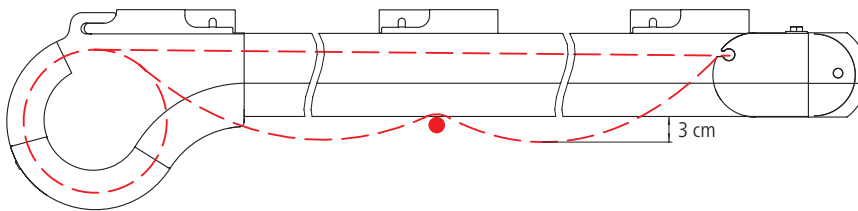
Sottezza II Stretch

Distance rope with the Sottezza II Stretch/LED

Use of distance rope in the Sottezza II Stretch/LED*



Effect of a distance rope*



Detail support wire bracket

Distance ropes

Distance ropes are used in large constructions to stop the fabric sag.

Operation of the distance ropes:

- After the awning has been completely ascended, after installation, the fabric's side edges should be 3 cm beneath the bottom edge of the side channels at most.

Position of the support wire brackets:

- In the vicinity of the side channel brackets
- Evenly distributed across the projection diagonal at regular spacing

* Schematic diagrams for the demonstration of the mode of action of the rope tensioner.

Standard number of support wires

Cassette width in cm	Projection in cm						
	up to 200	201–250	251–300	301–350	351–400	401–450	451–500
up to 400	–	–	–	–	1	1	2
401–450	–	–	1	1	2	2	3
451–500	–	–	1	1	2	2	▲
501–550	–	–	1	1	2	▲	▲
551–600	–	–	1	1	2	▲	▲

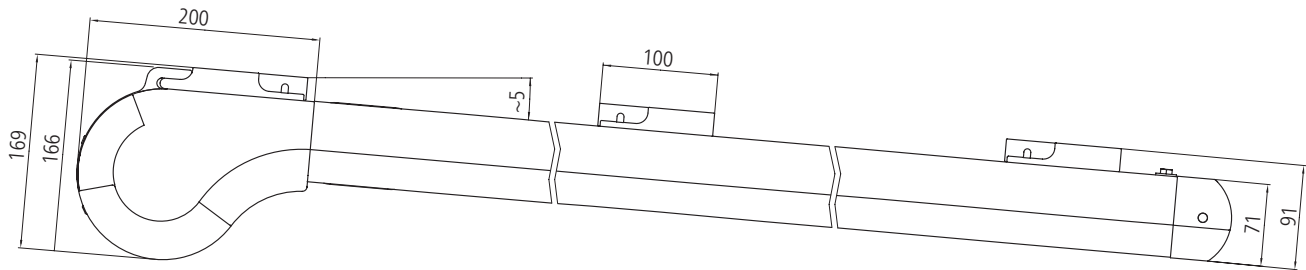
- No distance rope is required
- ▲ Unit size is not possible

The following table shows the minimum number of distance ropes depending on the projection and cassette width. Additional distance ropes are recommended in case of heavy wind impact. The Sottezza II OptiStretch does not require a distance rope on principle. These are optionally available for the achievement of the wind resistance class 2.

Sottezza II Planning

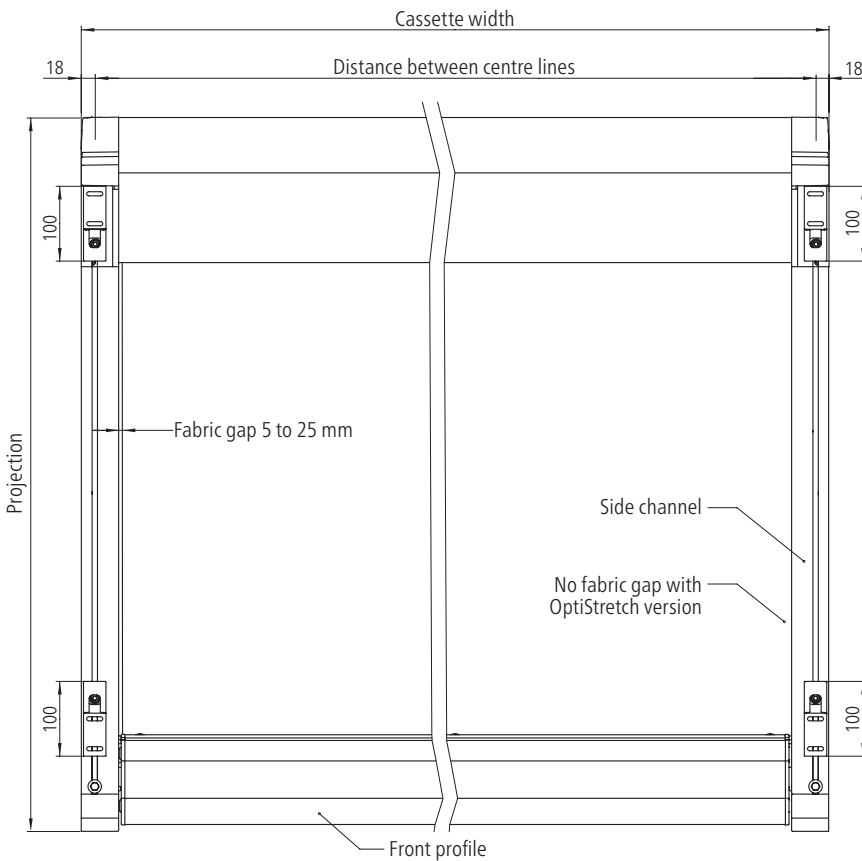
General views of flat single-panel flat system

Lateral view of Sottezza II



Sottezza II Stretch

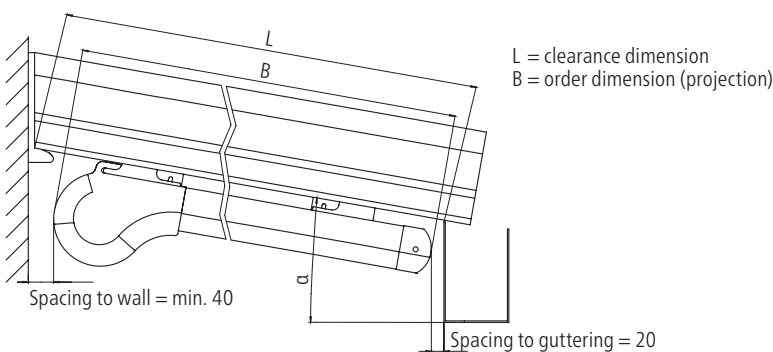
Sottezza II OptiStretch



The sideways fabric gap is 5–25 mm in the Stretch version, depending on the cassette width and the projection.

There is no fabric gap in the OptiStretch version.

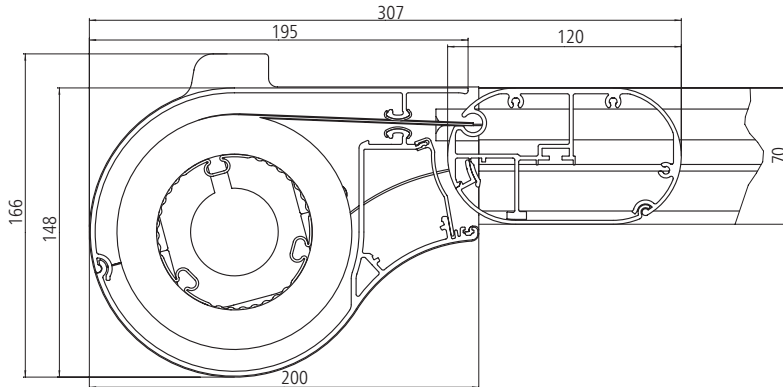
Minimum spacings



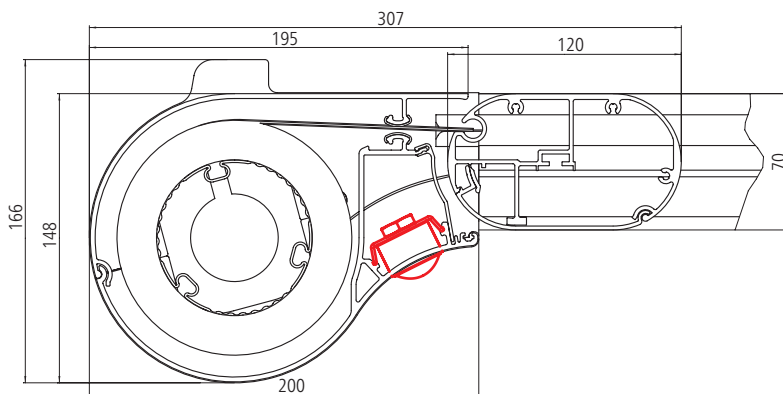
The spacing between Sottezza and the wall must be at least 40 mm. The spacing between Sottezza II and the guttering must be at least 20 mm.

Cross-sections

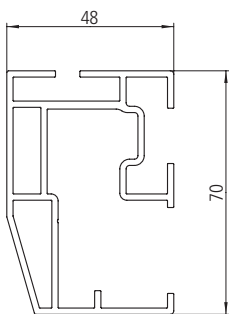
Cross sections and dimensions Sottezza II



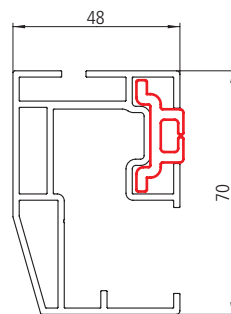
Cross sections and dimensions Sottezza II LED



Detail side channel Sottezza II



Side channel Stretch



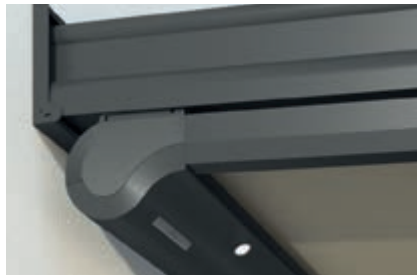
OptiStretch side channel with additional fabric guide profile

Sottezza II Installation

Sottezza II fitted to a Terrazza patio roof



Sottezza II indented



Sottezza II almost flush

During installation on a patio roof, the Sottezza II can be indented in such a way to allow the subsequent retrofitting of glazing elements (left). No glazing elements can be retrofitted if the cassette width of the Sottezza II corresponds to the width of the patio roof. The Sottezza II is then flush with the outside roof support of the roof (right).

Cabling of individual and multi-section units



Individual units:

The Hirschmann coupling with lead is fixed to the rear of the cassette cable with V2 cable fixings. (standard)



Multi-section units:

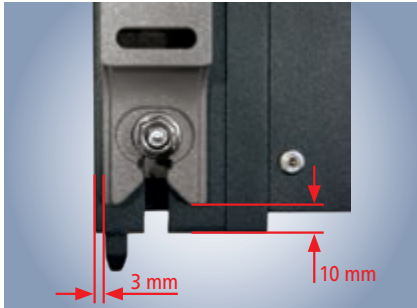
The lead is fixed with V2 cable fixings at spacing of approx. 700 mm. (optional)



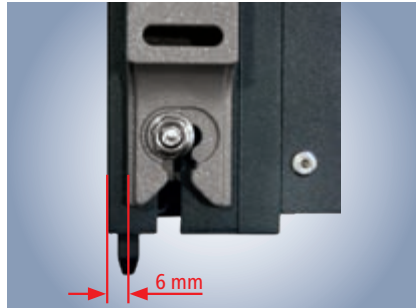
The Sottezza II power cable 1. leads along the Sottezza II 2. to the power line connection on the right here.

Slideability of the cassette in the bracket of the headplate (allowances)

Standard position

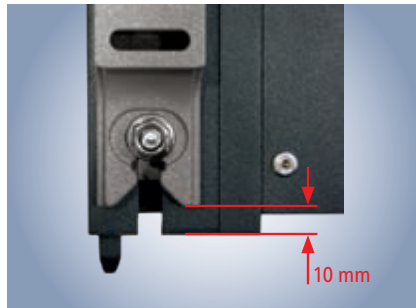


Lengthwise shifting to the cassette axis



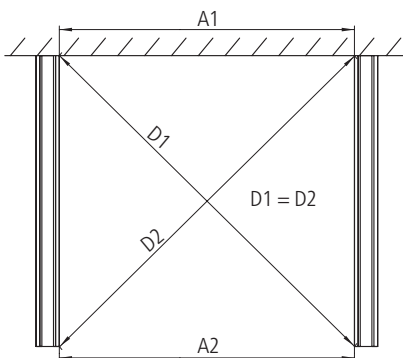
Inside the headplate bracket, the cassette can be pushed lengthwise to the cassette axis (6 mm) or in the direction of the projection (10 mm). Also see the figures:

Shifting lengthwise to the projection



04

Rectangular patio roof



Please note: The patio roof must be arranged at a right angle to enable the proper installation of the Sottezza II.

View as seen from above

The faceplate and the bottom of the cassette



The bottom of the cassette is opened after the installation to ensure that the rope is running properly around the pulley block. A strap holds the bottom of the cassette open. The faceplate can be easily unclamped. This provides easy accessibility to a receiver or a power supply pack for servicing purposes.

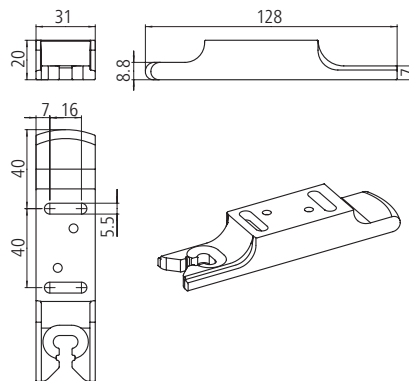
Sottezza II Installation

Serial bracket

Headplate bracket



Complete



You will receive two headplate brackets as standard for installation on the patio roof. This is mounted to the cassette.

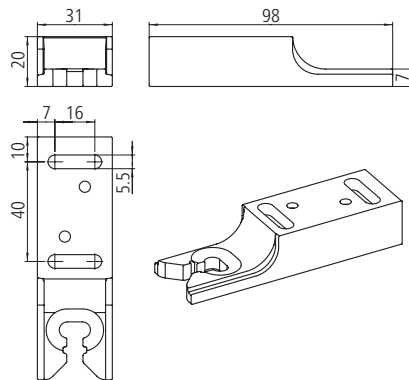
Headplate bracket consisting of:

- Bracket cover conservatory awnings IB 2013
- Headplate bracket conservatory awnings IB 2013
- Bracket cover connector conservatory awnings IB 2013 black
- Carriage 28 x 28 x 4 mm M6x20
- Flange nut with ratchet M6 A2
- Set of screws II conservatory awnings IB 2013

Side channel bracket



Complete

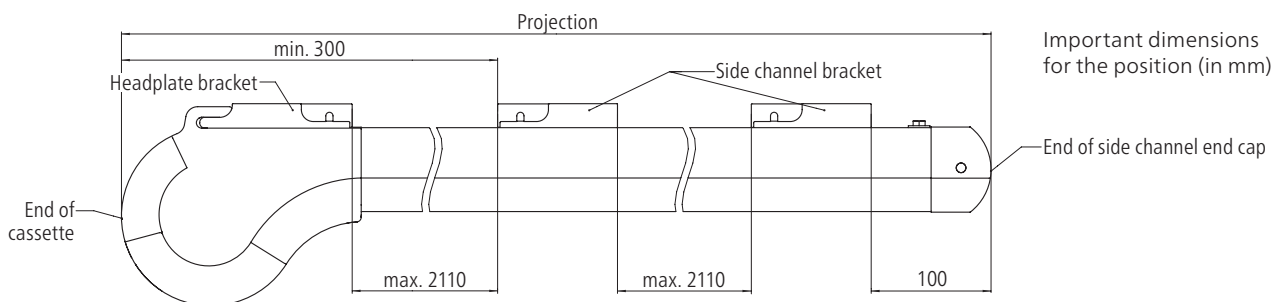


When attaching to a Terrazza patio roof, use the current weinor price list to find the standard number of side channel brackets.

The side channel bracket consists of:

- Side channel bracket conservatory awnings IB 2013
- Bracket cover conservatory awnings IB 2013
- Bracket cover connector conservatory awnings IB 2013 black
- Carriage 28 x 28 x 4 mm M6x20
- Flange nut with ratchet M6 A2
- Set of screws II conservatory awnings IB 2013

Fixing to a patio roof/number of installation points



Standard bracket type

Screws point upwards, i.e. from beneath the roof support or other supports above them. Additional brackets are recommended in case of a weak untrussed roof.

The set does not include material required to retrofit a Sottezza II to a pre-built untrussed roof. **Please refer to current weinor price list.**

No. of fastener points

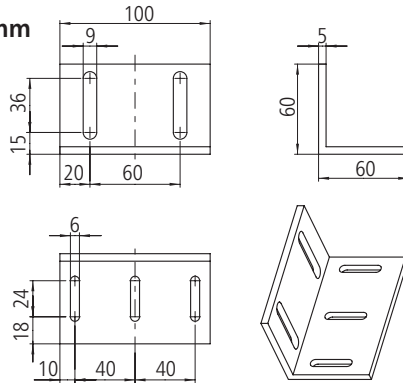
Sottezza II	Projection in cm				
	up to 150	151-250	251-350	351-450	451-500
Minimum number of installation points	4	4	6	6	8

The table shows the minimum number of installation points on a patio roof. The indicated number of fasteners is included in the delivery. When the Sottezza II is installed beneath another roof, additional brackets may be necessary.

Special bracket

The brackets listed here can be used in various installation scenarios. Especially for fixing to roofs from other manufacturers.

Niche angle bracket 60 x 60 x 5 x 100 mm



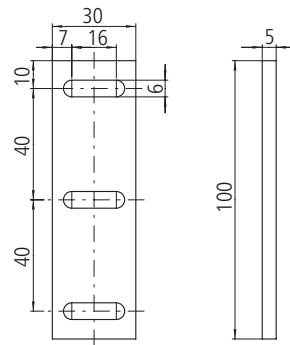
The angle bracket is required for lateral fastening to walls, in alcoves or to vertical elements.

Complete niche angle:

Includes screws to fasten the side channel/headplate bracket:

- 2x socket head cap screws M5x16
- 2x hexagonal nuts M5
- 2x washer 5,3

Base plate 100 x 30 x 5 mm



Fixing materials for shimming are advisable for uneven installation foundations.

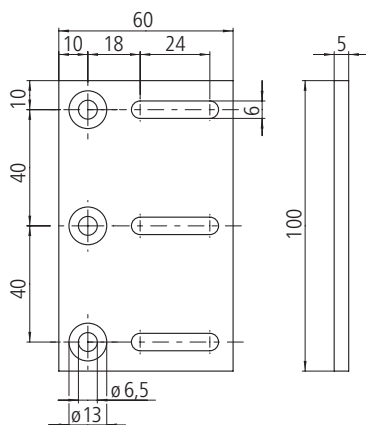
Base plate complete:

Including set of screws for installation on weinor Terrazza (for 2 base plates):

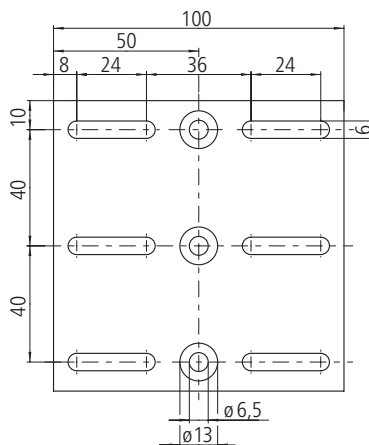
- 4x socket head cap screws M5x16
- 2x fixing slider 60 x 8 x 3 mm
- Set of screws II base plate WGM IB 2013

Fixing plates

The fixing plates are required for the sideways offset of the brackets and in case of narrow roof supports.



100 x 60 x 5 mm



100 x 100 x 5 mm

Complete fixing plates

100 x 60 x 5 mm or 100 x 100 x 5 mm:

- including set of screws
- 2x socket head cap screws M5x16
- 1x fixing slider 60 x 8 x 3 mm
- 2x countersunk hex head screws M5x10
- 2x hexagonal nuts M5
- 2x washer 5,3
- Set of screws II base plate WGM IB 2013

Fixing plate 100 x 100 x 5 mm:

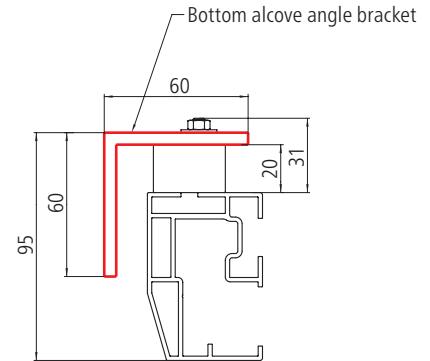
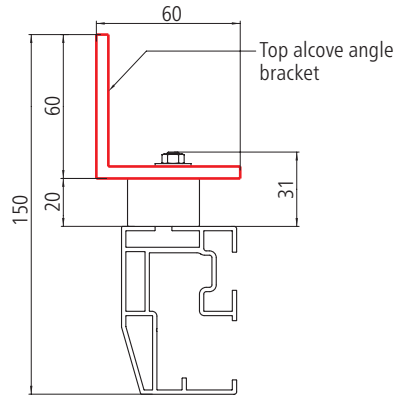
- including further set of screws
- 2x socket head cap screws M5x16
- 2 x washer 5,3
- 2 x hexagonal nuts M5
- Set of screws II base plate WGM IB 2013



For installation on roof supports, we recommend that you order the set of screws conservatory awnings IB 2013 on Terrazza with fixing slider (option).

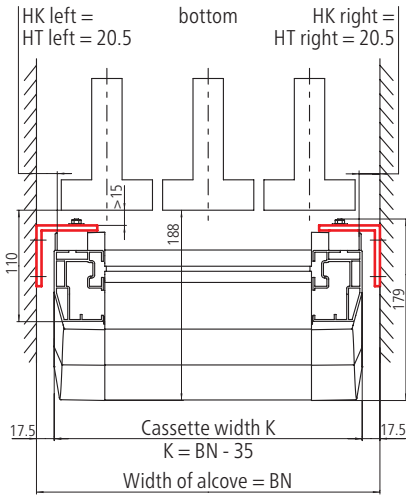
Use of niche angle bracket

Different possibilities for the use of niche angle brackets

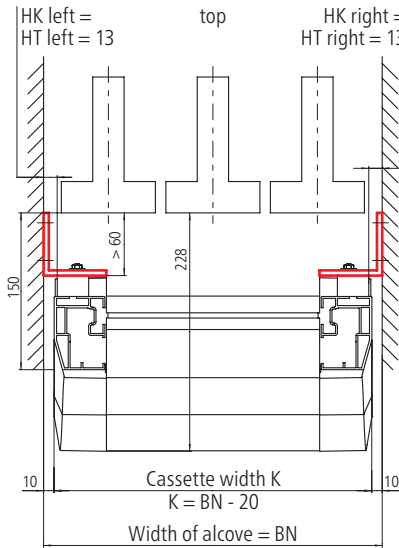


Arbitrary patio roof

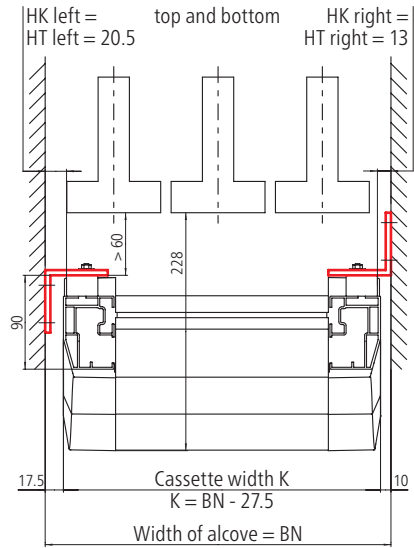
2 x niche angle brackets (NW)



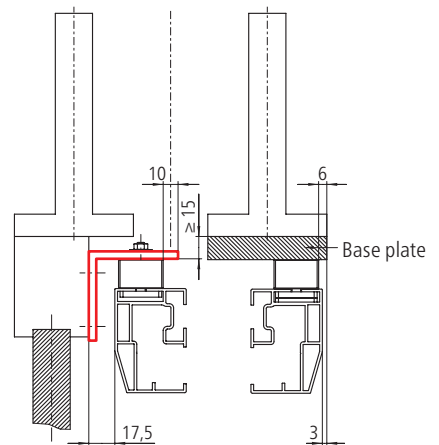
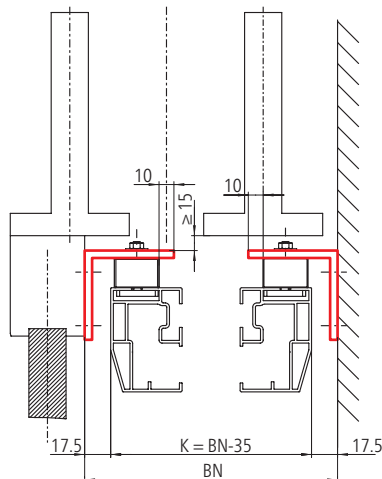
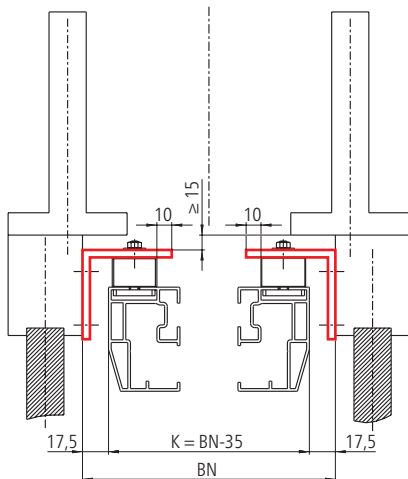
2 x niche angle brackets (NW)



1 niche angle bracket (NW)



Any patio roof with sideways vertical elements



Without angle brackets but fitted with base plate on site

Legend:

BN = width of niche HK = headplate bracket HT = side channel bracket K = cassette width

Sottezza II Installation

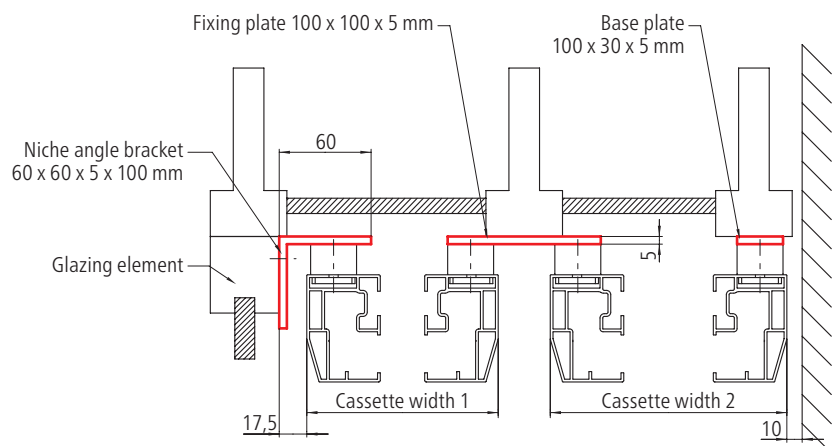
Examples of installation with niche angle bracket with connection + base plate

The two examples below show how special fastening materials are used. The right brackets must be used to suit the specific architecture and type of shading required.

- The side channel brackets on the right side can be underlaid with base plates or with fixing plates at the connection point.
- The boltings at the connection point are located sideways on the roof support or directly in the roof support depending on the width of the roof support.

Sottezza II fixed to roof with sideways vertical element

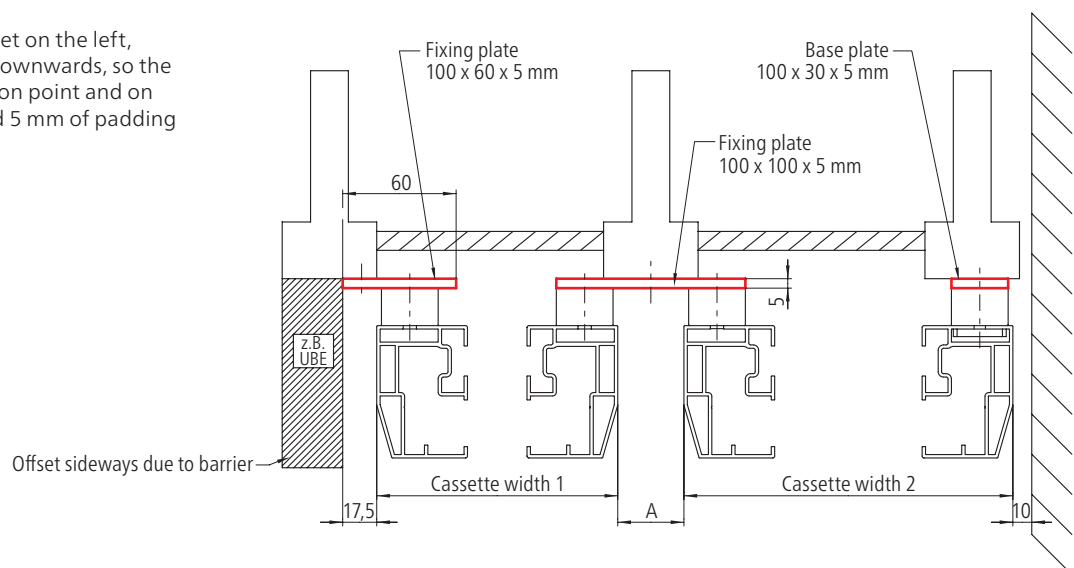
Due to the sideways mounting on the vertical element, all brackets shift 5 mm downwards, so the brackets at the connection point and on the right-hand side need 5 mm of padding.



04

Sottezza bracket with sideways offset

Due to the sideways offset on the left, all brackets shift 5 mm downwards, so the brackets at the connection point and on the right-hand side need 5 mm of padding



Legend:

UBE = glazing element

A = dependent on the width of the roof support supplied by another manufacturer

Figures are in mm

Sottezza II Installation

Installation of Sottezza II spacer (square profile)

If a larger spacing to the roof should be necessary (e.g. Use of light bar or a roof vent), this can be realised with a spacer.

